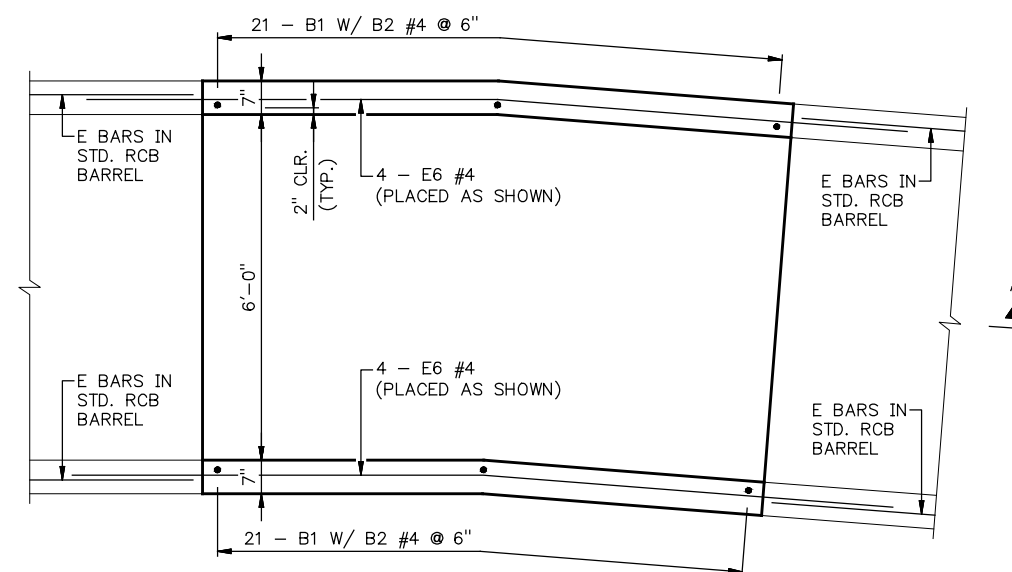


5° BEND LAYOUT PLAN

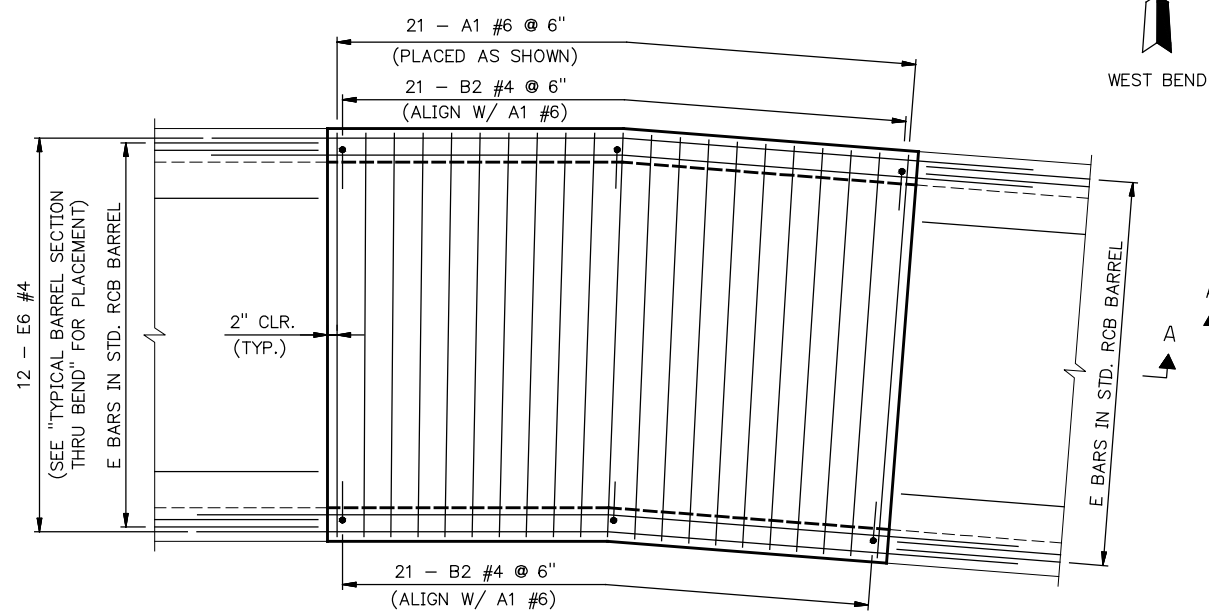


WALL REINFORCING PLAN

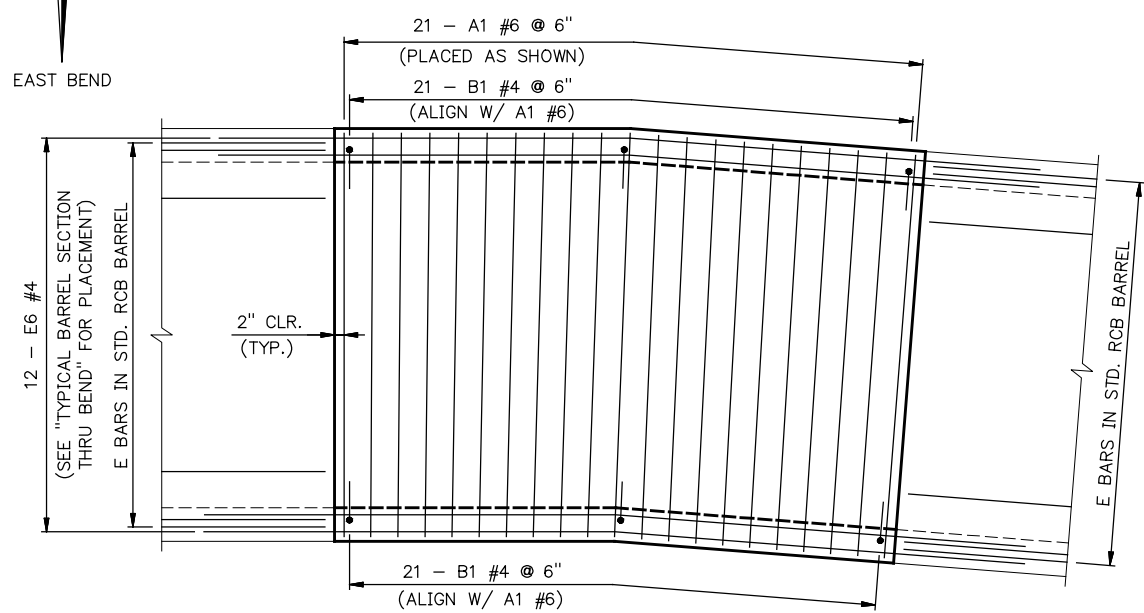
5° BEND SECTION QUANTITIES		
ONE BEND SECTION SHOWN, TWO REQUIRED		
DESCRIPTION	UNIT	TOTAL
CLASS AA CONCRETE	C.Y.	6.00
REINFORCING STEEL	LB.	960.00

5° BEND SECTION BAR LIST					
ONE BEND SECTION SHOWN, TWO REQUIRED					
MARK	NO.	SIZE	FORM	LENGTH	REMARKS
PLAIN REINFORCING BARS					
A1	42	#6	STR.	6'-10"	
B1	42	#4	BNT.	2'-7"	
B2	42	#4	BNT.	5'-3"	
E6	32	#4	BNT.	14'-4"	

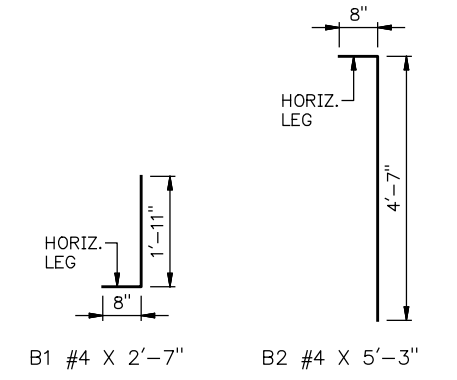
WEST BEND EAST BEND



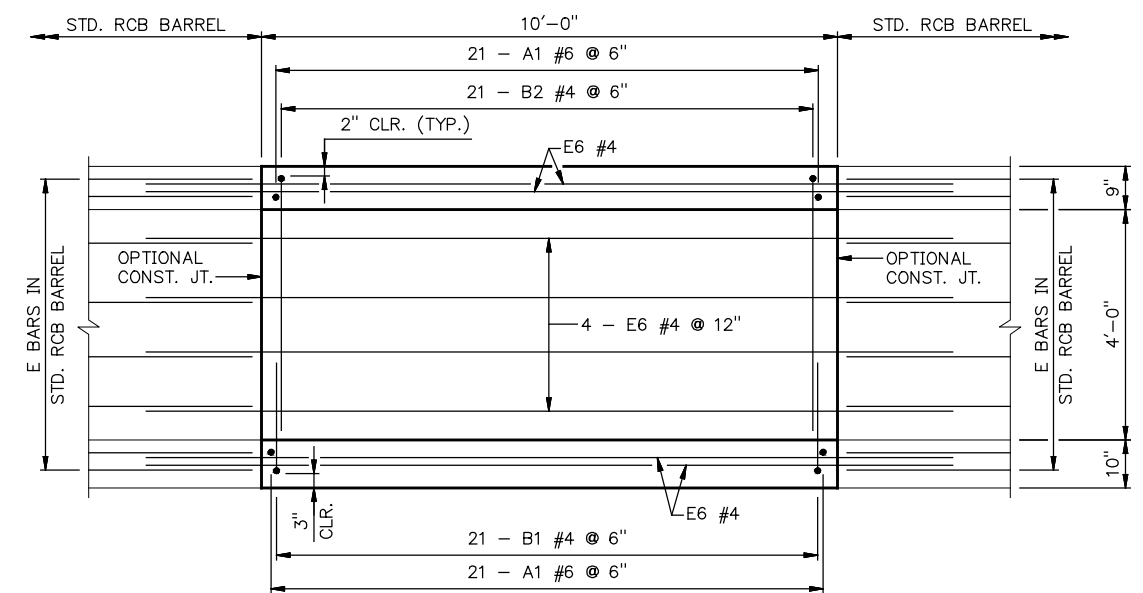
TOP SLAB REINFORCING PLAN



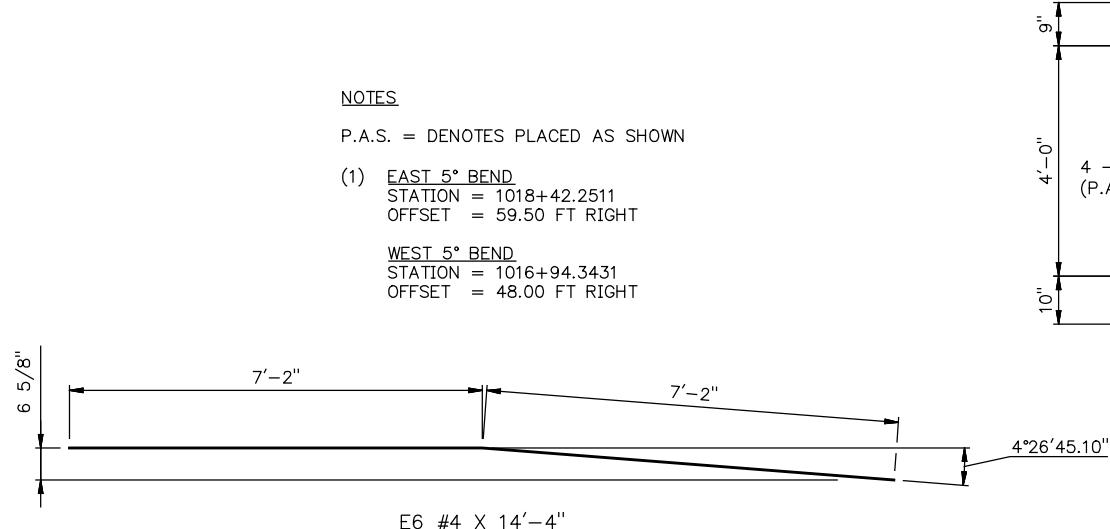
BOTTOM SLAB REINFORCING PLAN



BAR BEND DETAILS

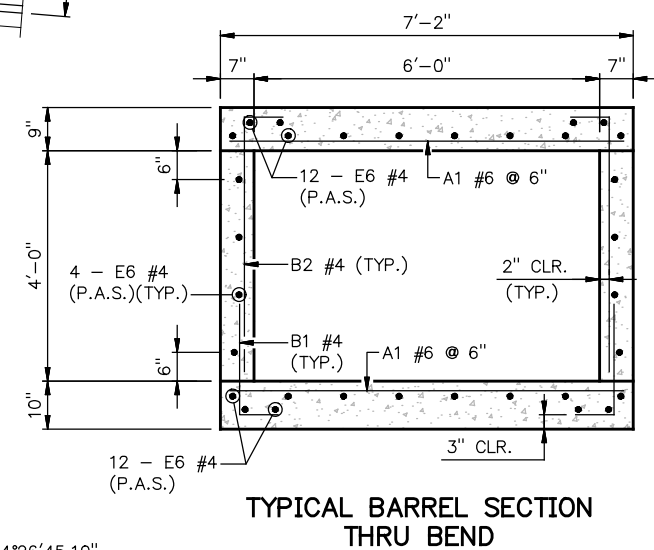


SECTION A-A



BAR BEND DETAIL

NOTES
 P.A.S. = DENOTES PLACED AS SHOWN
 (1) EAST 5° BEND
 STATION = 1018+42.2511
 OFFSET = 59.50 FT RIGHT
 WEST 5° BEND
 STATION = 1016+94.3431
 OFFSET = 48.00 FT RIGHT



TYPICAL BARREL SECTION THRU BEND

STRUCTURE 16 DETAILS
 (5° BEND DETAILS)
 (DETAIL 4 OF 4)